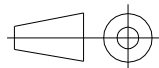
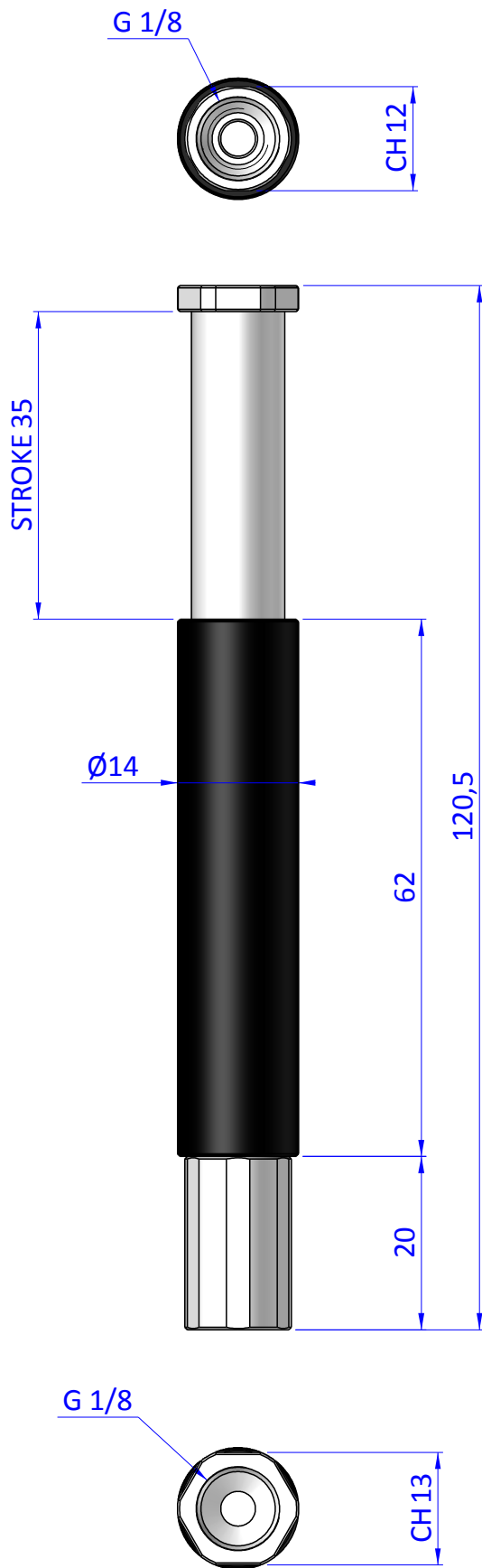
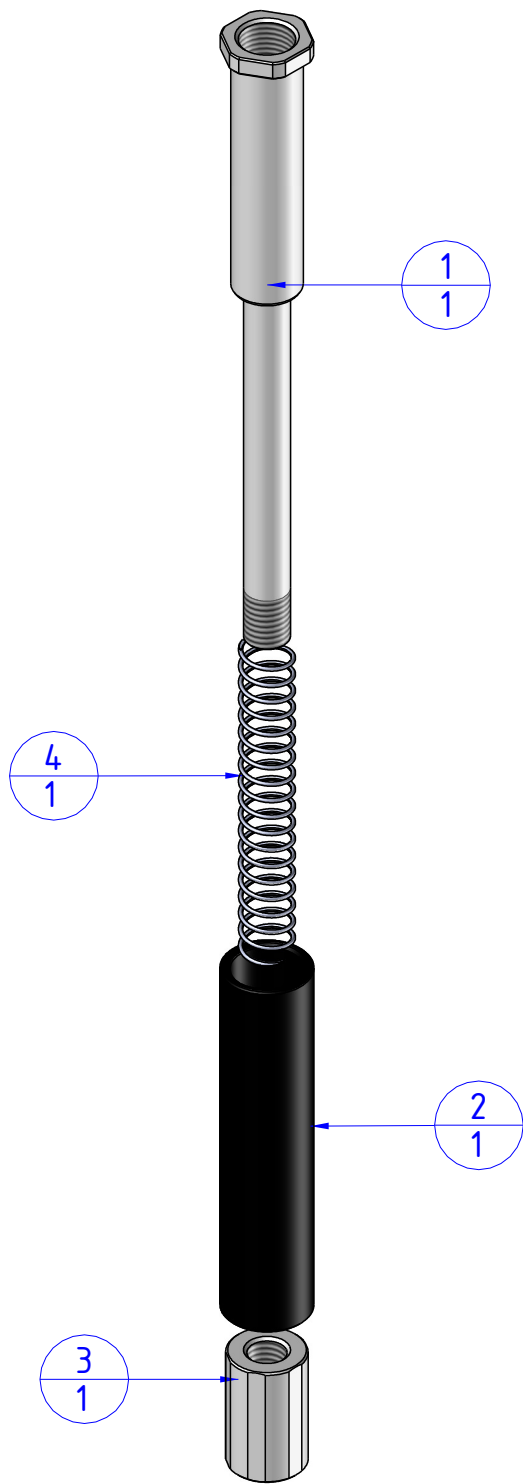


THE PROPERTY OF THE DRAWING IS ESTABLISHED BY LAW. IT IS FORBIDDEN TO PRODUCE OR SHOW IT TO THIRD PART. WITHOUT A WRITTEN AGREEMENT.

| Item | Name | Q.ty |
|------|---------------|------|
| 1 | SDR.1435.01 | 1 |
| 2 | SDR.1435.02 | 1 |
| 3 | VSN.14.1 | 1 |
| 4 | M.8.5X48.50.1 | 1 |



| | | |
|-------------------------------------|--------------------------|-------------------------|
| DESIGNED FROM FP SERVICES | | REVIEW A / 10 |
| DATE 11/02/2019 | WEIGHT 0,026kg | |
| CODE CA.SDR.1435 | | |

Format **A4**
UNI 936-76

GENERAL TOLERANCE
UNI - ISO 2768
CLASSE f

DESCRIPTION
CA.SDR.1435